

JIM HEFKEY

ジム・ヘフキ

---

AN INTRODUCTION

Originally  
From  
Canada



- Trained in Industrial Hydraulics and Pneumatics



- Worked for companies dealing with the Automotive and Aircraft Industry



# WORLD

## LOCATION OF NEW ZEALAND



Now  
From  
Auckland  
New Zealand



Worked in:

- Industrial Pneumatics



- General Manufacturing



- Plastic Injection Moulding and Composites





Continued My Education While Working

Business Diploma in Engineering Management

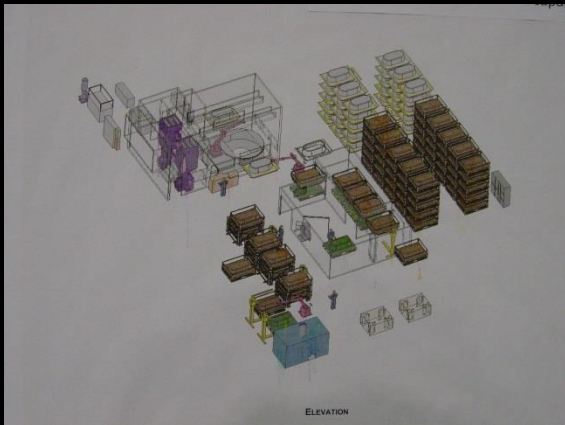


Master of Engineering in Manufacturing Systems

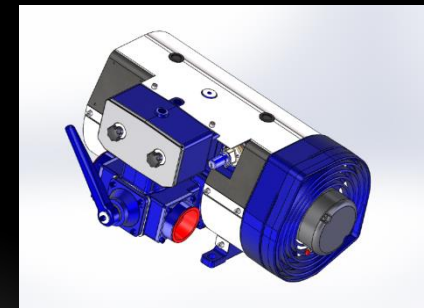
Now Work TWO Jobs:

1) Self-Employed Contract and Consulting Engineer

- Automation Machines
- Manufacturing Systems



- Design for Manufacture





Now Work TWO Jobs:

- 1) Self-Employed Contract and Consulting Engineer
- 2) Professional Teaching Fellow – University of Auckland
  - Engineering Management
  - Engineering Systems
  - Engineering Design



Interest In Space Started As A Young Child

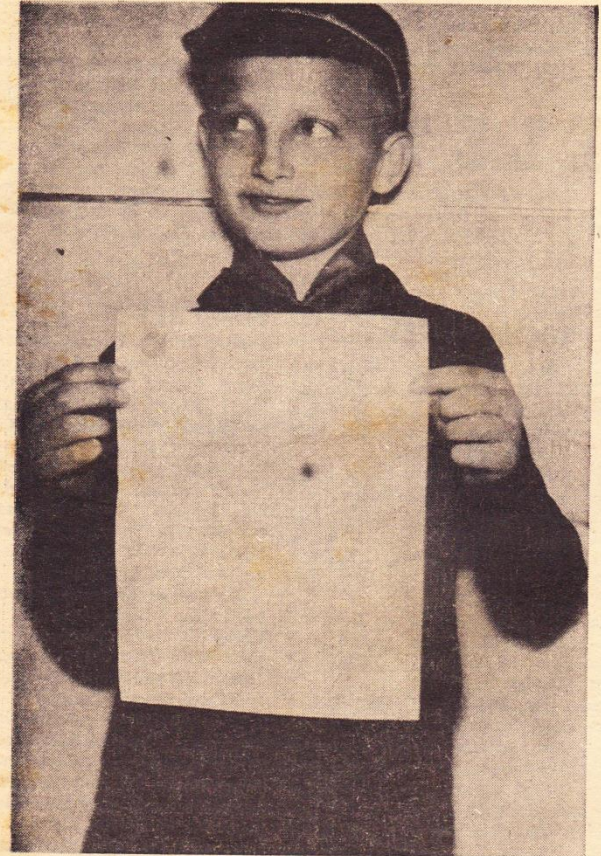
---

# American John Glenn Orbits Earth

1962



Small town hero



JIM HEFKEY

## DISTRICT BOY ASTRONAUT TO BE?

Jim Hefkey, age 8, of Clifford, took a keen interest during the recent Friendship 7, flights of John Glenn Jr. About every paper and weekend magazine with stories of the flight were read by Jim before and after the trip into

Brantford and said it was lots of fun.

Jim gave us the letter from John Glenn Jr. for publication, which reads as follows:

National Aeronautics and

# First Moon Landing

1969



High school rocket club



# About Time of Skylab Re-entry

1979



Nearly arrested flying rockets

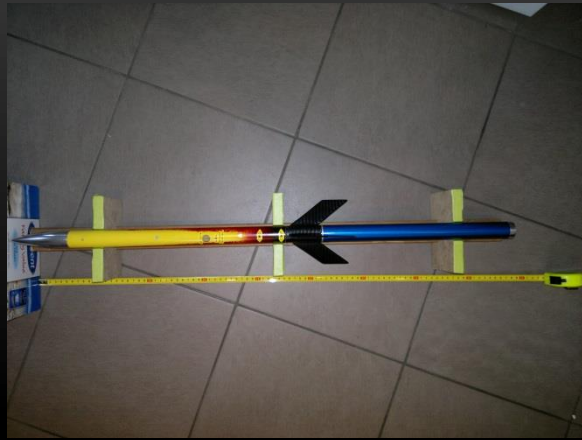
After a long break which included moving across the world I got interested in space and rockets again.

Joined the New Zealand Rocketry Association several years ago

[www.nzrocketry.org.nz](http://www.nzrocketry.org.nz)

---





NZ altitude record 'H' motor  
800mm x 29mm dia ~ 3 km



Modified CRV7  
ASM (air to surface missile)



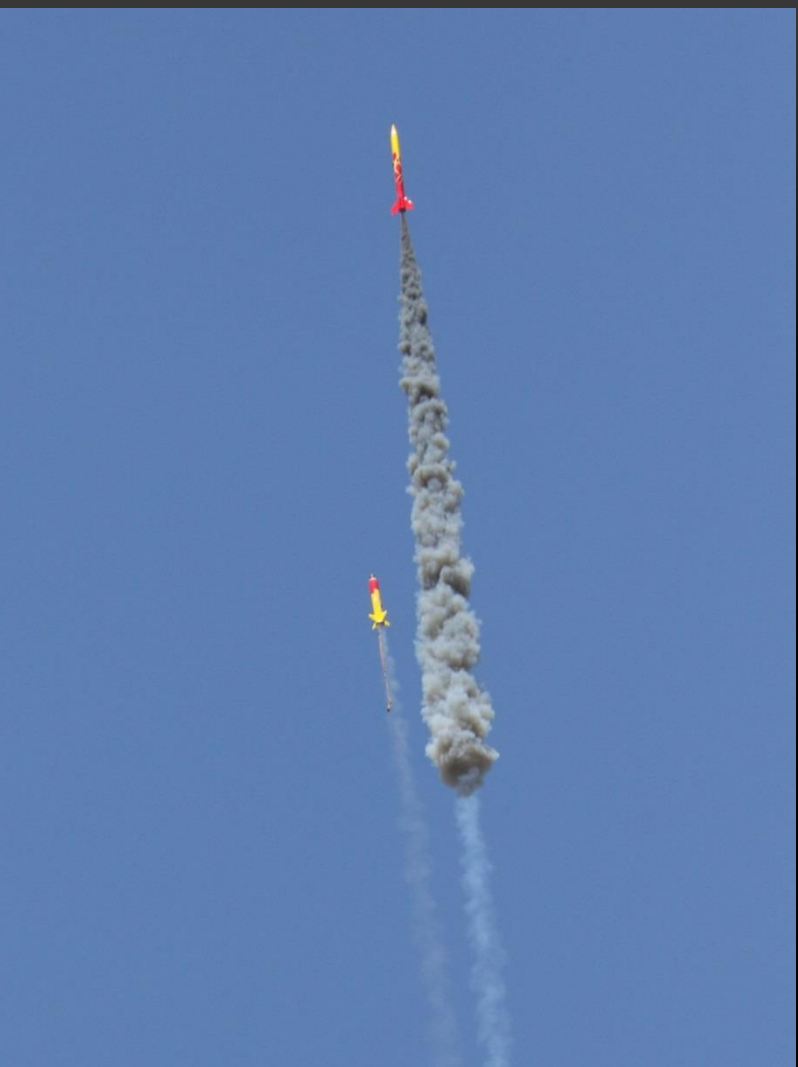
Modified kit PML Quasar  
~1800mm L x 66mm dia.



Same rocket NZRA National Launch Day NZ  
Photo from quad copter



Custom built 2 stage 130/150mm dia x 3300mm L  
3 engines in booster – 1 engine in sustainer



Flying at Thunda-Down-Unda  
Australia March 2015

Also one of the original members of the Kiwispac Foundation



[www.kiwispac.org.nz](http://www.kiwispac.org.nz)



In 2012 Kiwinspace and NZRA and Aerospace Education held the first **New Zealand Rocketry Challenge** for Year 7 students – egg lofting competition



In 2013 Kiwispace organised their first SpaceUp conference  
Team from JAXA (Japan Space Agency) helped with training



Nagata san from Japan  
introduced Cansat to conference





## My Goals:

1- Use rocketry and space to improve the interest in STEM subjects in NZ schools

## How?

Earlier this year I organised on-going governance and sustainable funding for NZ Rocketry Challenge for intermediate schools

Want to adapt other world programs for use in NZ high schools

---

My Goals:

1- Use rocketry and space to improve the interest in STEM subjects in NZ schools

2- Organise CANSAT, PICOSAT, NANOSAT, and CUBESAT for NZ higher education institutions

How?

Attend this course

Represent Unisec in NZ

Generate interest at Universities

Create events.



Cansat New Zealand Logo  
From Facebook page

Why?

New Zealand is about to enter the space industry



# Rocket Lab is already preparing for Cubesat launch business

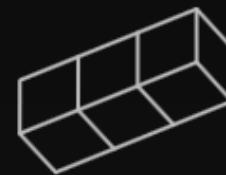
## ONLINE BOOKING

Choose your launch date, destination and even your position on the rocket using Rocket Lab's new online booking system for CubeSats.



**1 U CUBESAT**

FROM: US\$50,000



**3 U CUBESAT**

FROM: US\$180,000

END

Thank You

仕上がり

ありがとう